

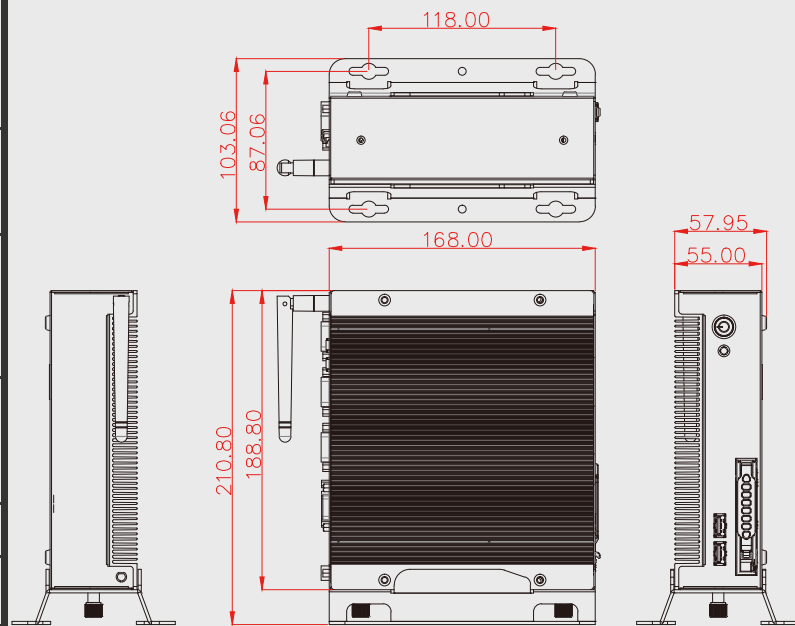
Feature :

1. For 3.5 inch Embedded Board Form factor with CPU TDP 25W max.
2. Simple assembling and Easy system integration.
3. Silent, dust-free & energy - efficient operation.



Specifications :

Front Panel	<ul style="list-style-type: none"> ● Power switch x 1. ● HDD LED x 1. ● Power LED x 1. ● USB port x 2.
Back Panel	<ul style="list-style-type: none"> ● Customized I/O shield.
Internal Structure	<ul style="list-style-type: none"> ● 2.5" HDD x 1
Dimension (WxDxH)	7.43 x 6.61 x 2.17 inch (188.8 x 168.0 x 55.0 mm)
Material	SGCC
Surface	Black Wet Paint With Texture Coat
Colour	Black. Customizable colour.



Power Solutions :

Internal Power Supply	External AC adapter
C7 (80W) DC Power Board	60 Watts (12V) or 80 Watts (12V)
C4 (120W) DC Power Board	120 Watts (19V~24V)

UNIT:mm