

KIWATEK
FU-F1100 1U FANLESS

Dimensions:

482.80mm(W) x 253.30mm (D) x 44.45 mm (H) (19.0" x 9.9" x 1.73")

Motherboard Spec.

For Mini ITX

Front Panel:

Power SW. Power LED. HDD LED.
USB Port x 2. MIC x 1 . Line out x 1

Back Panel:

Universal I/Ox 1 .
Expansion PCI/PCI-E slot x 1
DB9 cutoff hole.x3 Compact flash cutoff hole x1

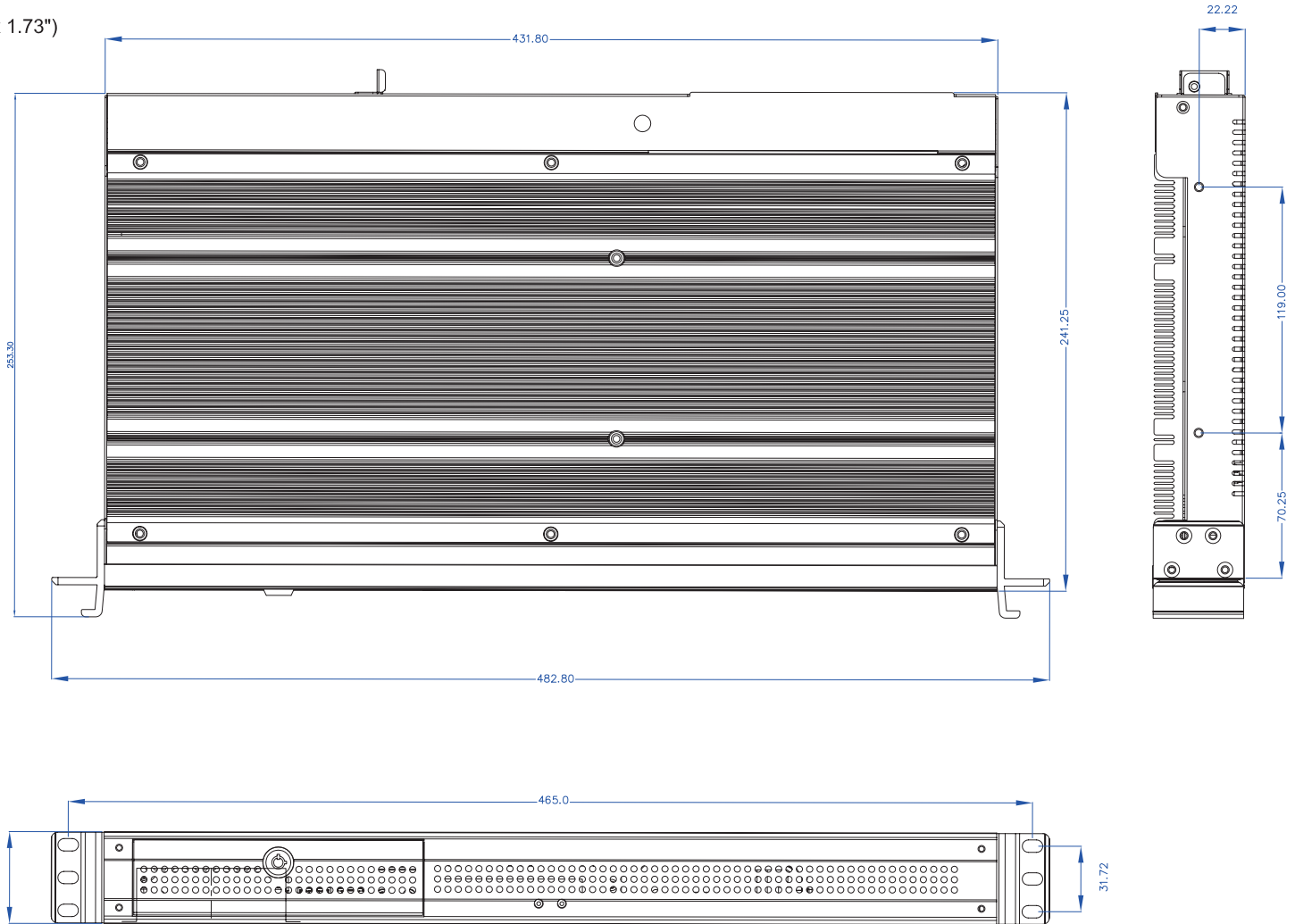
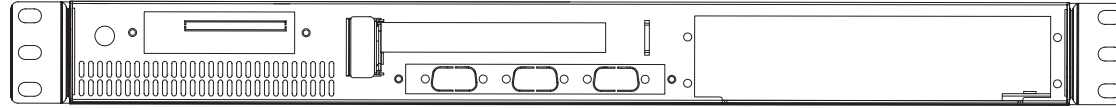
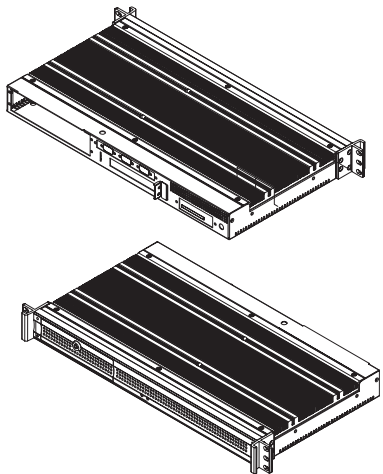
Power Input:

C7(80W) Converter or
C9 (120W) Converter

Construction:

Metal chassis
Low Operation temperature

RoHS Compliant



UNIT : mm
DATE : 2012/04/25