

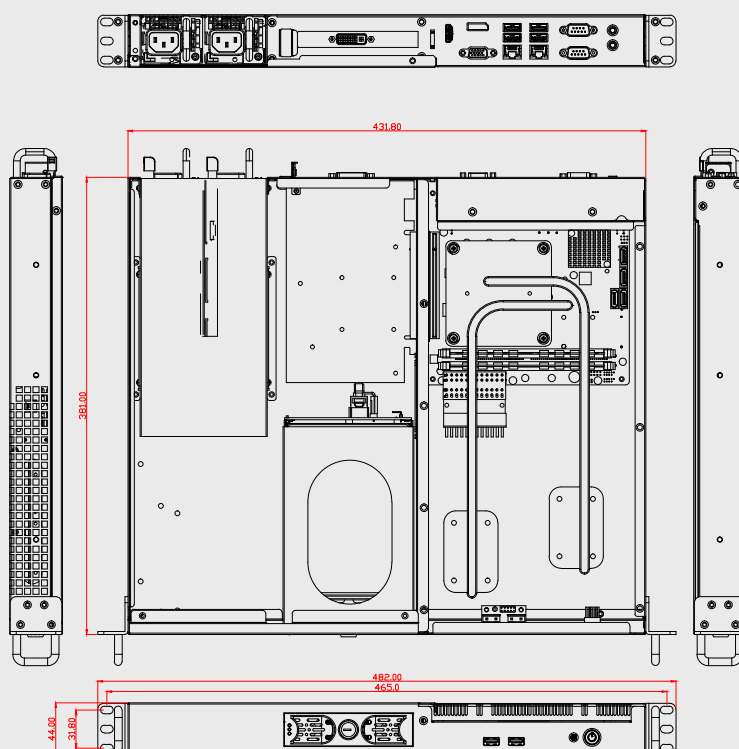
## Feature :

1. Compatible with Mini-ITX Form Factor Motherboard
2. Easy system integration.
3. Aluminum-made Heat Sink.
4. Heatsink for system CPU: TDP 35W
5. Supports 3.5" HDD x 1



## Specifications :

Front Panel	<ul style="list-style-type: none"> <li>● Power Switch x 1.</li> <li>● Power LED x 1.</li> <li>● HDD LED x 1.</li> <li>● USB 2.0 Ports x 2. (3.0 optional)</li> </ul>
Back Panel	<ul style="list-style-type: none"> <li>● Standard I/O Shield.</li> </ul>
Internal Structure	<ul style="list-style-type: none"> <li>● 3.5" HDD Hot Swap Tray x 1.</li> </ul>
Dimension ( WxDxH )	19.00 x 15.00 x 1.73 inch ( 482.0 x 381.0 x 44.0 mm )
Material	SGCC
Surface	Black Wet Paint With Texture Coat.
Color	Black/ Customizable Colour.



## Power Solutions :

Redundant or Flex ATX Power Supply

UNIT:mm