

KIWATEK

FU-F1221 1U FANLESS

Dimensions:

482mm(W) x 409mm (D) x 44 mm (H) (19.0" x 16.1" x 1.73")

Motherboard Spec.

For Mini-ITX MB x 2

Front Panel:

Power SW x 2. Power LED x 2. HDD LED x 2.

USB Port x 4

3.5" HDD Tray *2 (Optional).

Back Panel:

I/O x 2 .

Power Input:

C7 (80W /12 DCV) Converter or

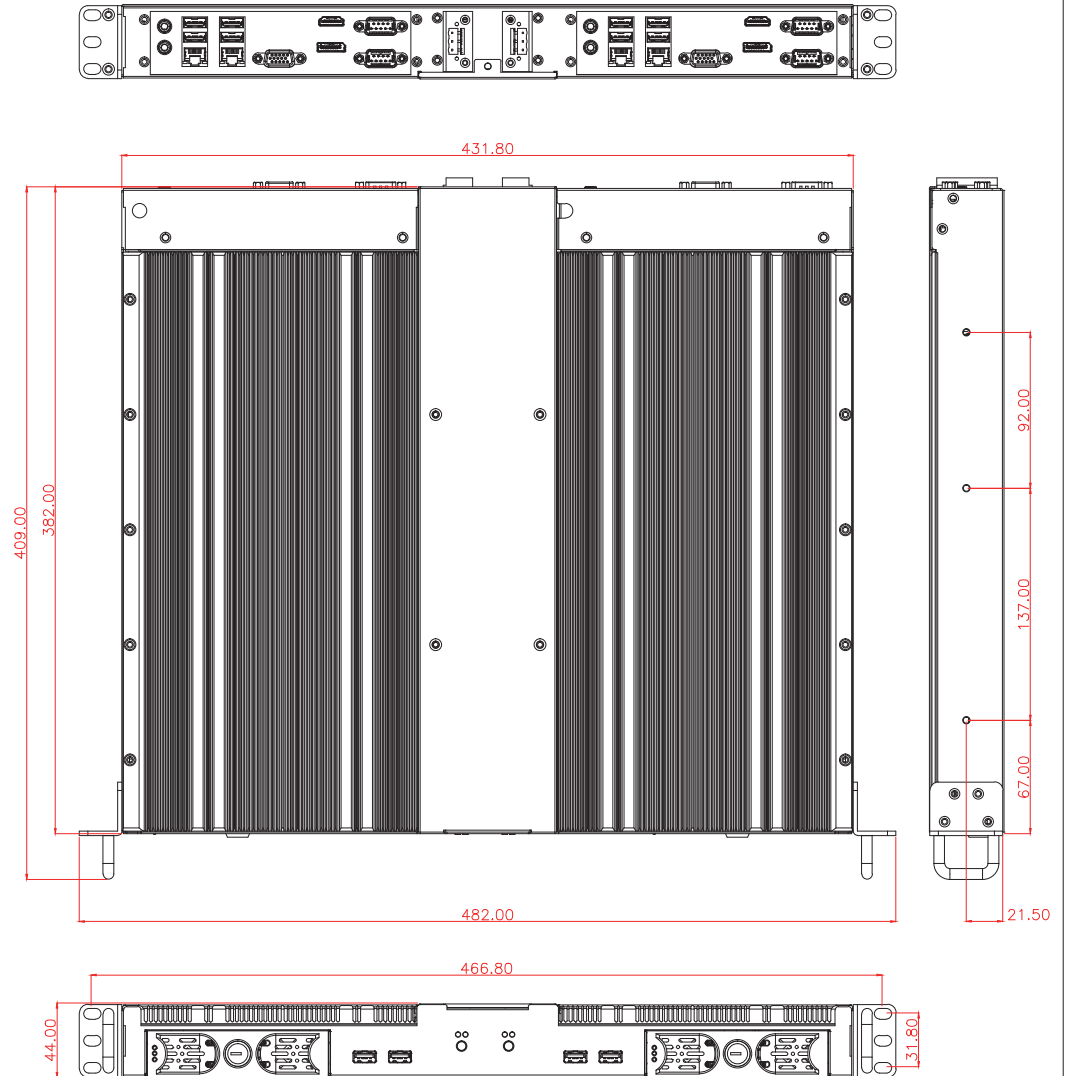
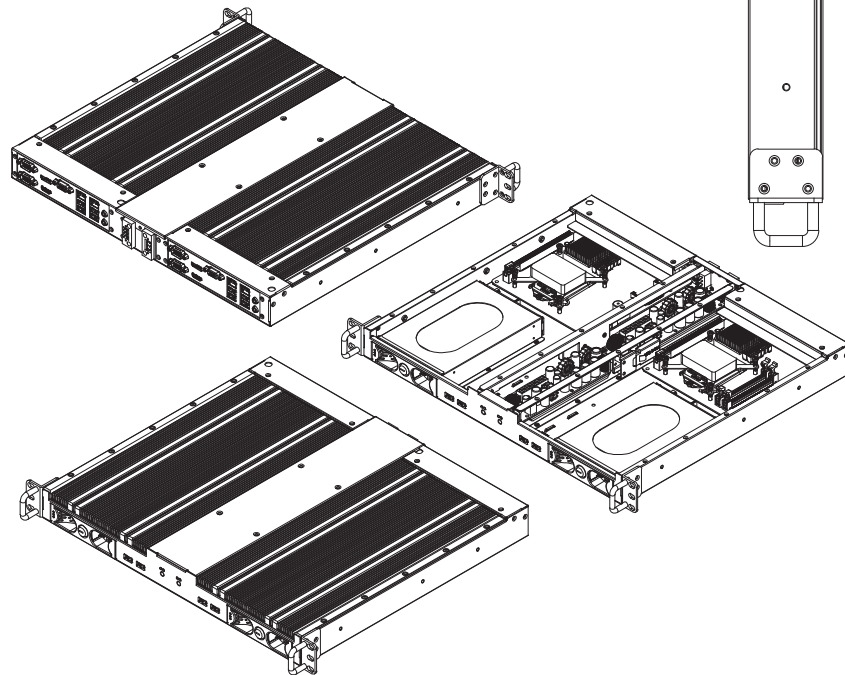
C4 (150W /19~24 DCV) Converter

Construction:

Metal chassis

Low Operation temperature

RoHS Compliant



UNIT : mm
DATE : 2018/08/01