

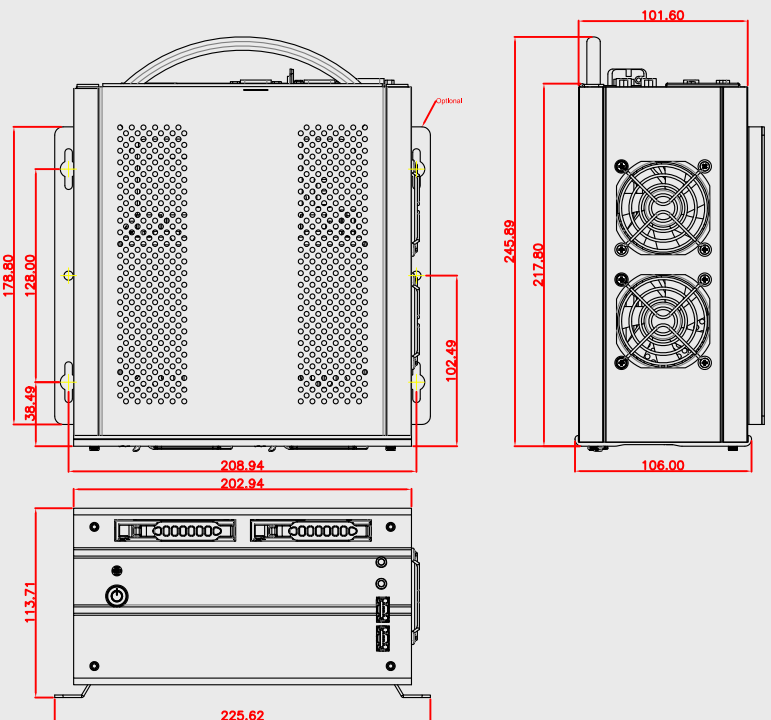
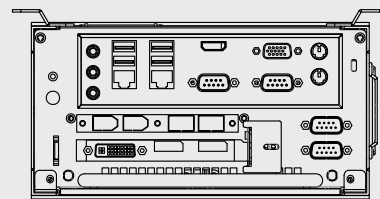
Feature :

1. Support 2 x 2.5" Serial ATA trays
2. Support 1 x Expansion slot for PCIe or PCI
3. 2 x DB9 ports on rear I/O
4. Excellent cooling with 2 x 6 cm fan inside



Specifications:

Front Panel	<ul style="list-style-type: none"> ● Power switch x 1. ● Power LED x 1. ● HDD LED x 1. ● USB Port x 2. ● 2.5" Serial ATA trays x 2.
Back Panel	<ul style="list-style-type: none"> ● Standard I/O shield (not included). ● Expansion slot x 1. ● DB9 ports x 2.
Internal Structure	<ul style="list-style-type: none"> ● Standard memory height. ● 6cm fan x 2. ● 2.5" HDD bracket x 2.
Dimension (WxDxH)	7.99 x 8.57 x 4.17 inch (202.94 x 217.8 x 106.0 mm)
Material	Light weight aluminum alloy extruded aluminum front panel
Surface	Aluminum front panel with anodized finish; Black wet paint with texture coat.
Colour	Black. Customizable colour.



Power Solutions :

Internal Power Supply	External AC adapter
T8(80W) DC Power board	60W or 80W (12V)
C5(150W) DC Power board	90W or 120W (19V)

UNIT:mm