

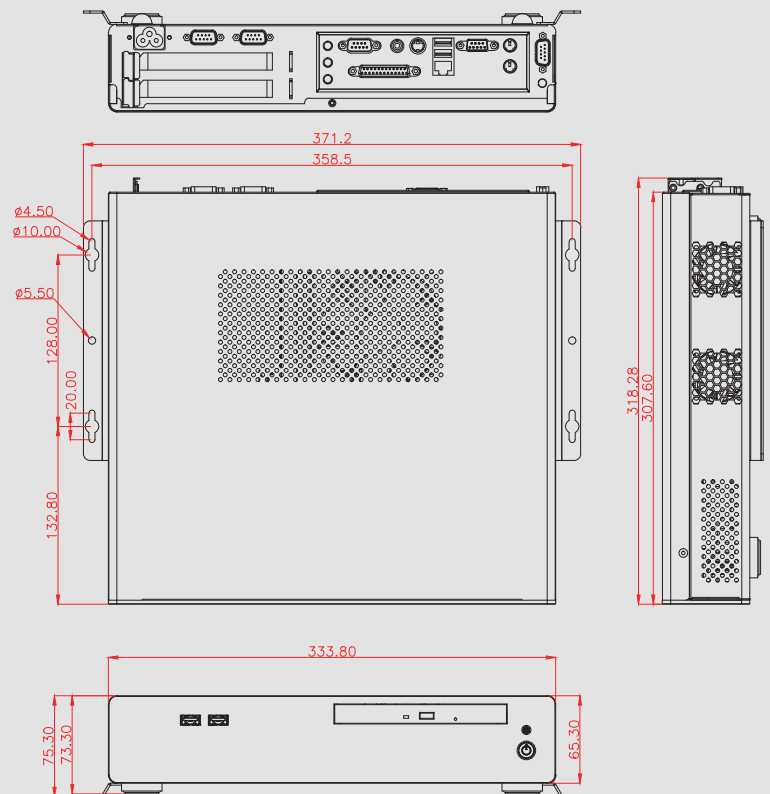
Feature :

1. Support 1 x slim ODD
2. Support 2 x Expansion slots for PCIe or PCI
3. 3 x DB9 ports on rear I/O
4. 2 x 4 cm fan inside



Specifications:

Front Panel	<ul style="list-style-type: none"> ● Power switch x 1. ● Power LED x 1. ● HDD LED x 1. ● USB Port x 2. ● Slim ODD or Compact flash module (not included).
Back Panel	<ul style="list-style-type: none"> ● Standard I/O shield (not included). ● Expansion slots x 2. ● DB9 ports x 3.
Internal Structure	<ul style="list-style-type: none"> ● 4cm fan x 2. ● Standard memory height. ● 2.5" HDD x 2 or 3.5" HDD x 1.
Dimension (WxDxH)	13.1 x 12.1 x 2.57 inch (333.8 x 307.6 x 65.3 mm)
Material	SGCC Extruded aluminum front panel
Surface	Aluminum front panel with anodized finish ;Black wet paint with texture coat.
Colour	Black. Customizable colour.



Power Solutions :

Internal Power Supply
250W/300W/400W Power Supply

UNIT:mm