

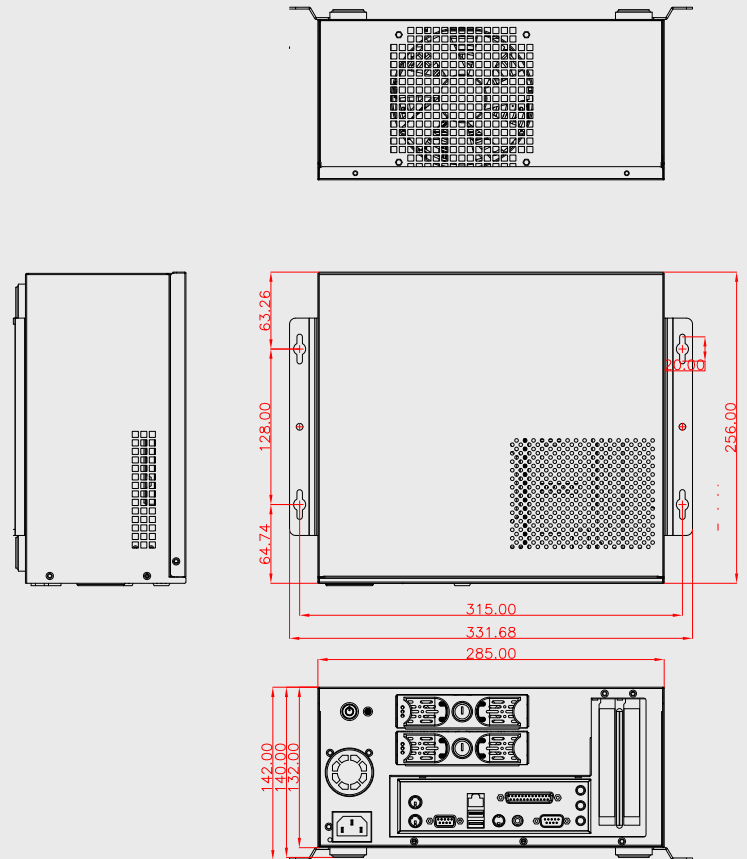
Feature :

1. Compact Chassis for Mini-ITX Motherboard.
2. With Front I/O Interface.
3. Support 2 x 3.5" HDD serial ATA bays.
4. Support Dual Full Height Expansion Slots.
5. Support Flex ATX Power Supply.
6. Excellent Cooling System with 1 x 12cm Fan.



Specifications :

Front Panel	<ul style="list-style-type: none"> ● Power Switch x 1. ● Power LED x 1. ● HDD LED x 1. ● 3.5" HDD x 2 . ● Standard I/O Shield. ● Expansion Slots x 2.
Back Panel	<ul style="list-style-type: none"> ● 12cm Fan (2 Ball Bearing) x 1.
Internal Structure	<ul style="list-style-type: none"> ● 2.5" HDD x 1
Dimension (WxDxH)	11.22 x 10.08 x 5.19 inch (285 x 256 x 132 mm)
Material	SGCC Chassis
Surface	Wet Paint with Texture Coat. Black Color .



UNIT:mm

Power Solutions :

Internal Power Supply
Flex ATX 250W/300W/400W Power Supply