

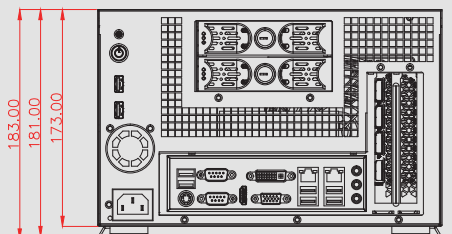
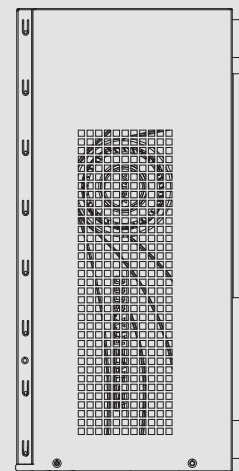
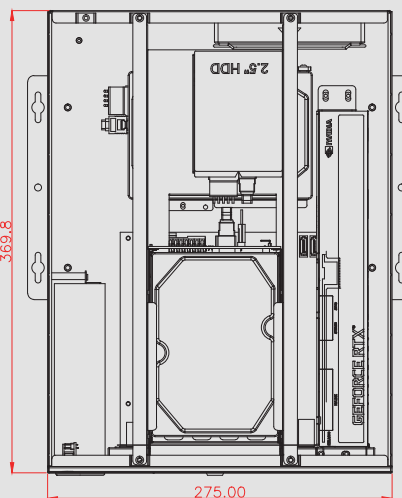
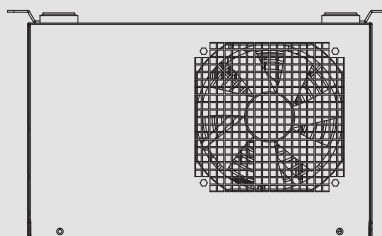
Feature :

1. Support Mini-ITX Form Factor Motherboard
2. Optimized Depth for High-Performance GPU
3. Support 2 x 3.5" SATA ray
4. Support up to 2 expansion slot
5. Front-panel access to the motherboard



Specifications :

Front Panel	<ul style="list-style-type: none"> ● Power Switch x 1 ● HDD LED x 1 ● USB Port x 2 ● Support PCI or PCI-e long card x 2 ● 2.5" SATA Tray x 2 ● Standard I/O shield x 1
Back Panel	<ul style="list-style-type: none"> ● 12cm system cooling fan x 2
Internal Structure	<ul style="list-style-type: none"> ● 2.5" HDD x 1
Dimensions (W x D x H)	10.83 x 14.53 x 6.81 inch (275.0 x 369.8 x 173.0 mm)
Material	Heavy dust cold-rolled steel.
Surface	Black wer paint with texture coat
Color	Black. Customizable colour



Power Solutions :

Internal Power Supply
FLEX Power Supply 250W/300W/400W/600W/850W

UNIT:mm