

# KIWATEK KACE-C536 Micro-ATX MB Wallmount chassis

## Dimensions:

318.0mm(W) x 295.0mm (D) x 87.0 mm (H) (12.5" x11.5" x 3.4")

## Motherboard Spec.

For Micro ATX (9.6"×9.6") or Mini-ITX (170\*170mm)

## Front Panel:

Power SW with LED. USB Port x 2.

## Back Panel:

Standard I/O shield (not included). Expansion PCI slot x 4.

## Drive bays:

3.5" HDD x 1

## Cooling Fan:

6 cm Fan x 2

## Power Input:

ATX 250W POWER SUPPLY

## Construction:

Metal chassis

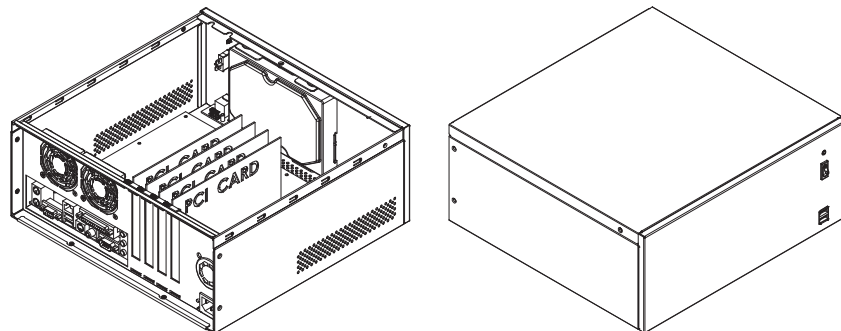
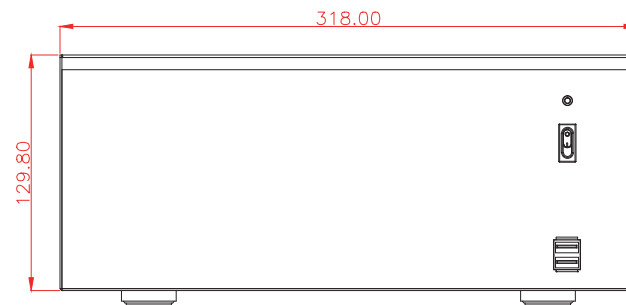
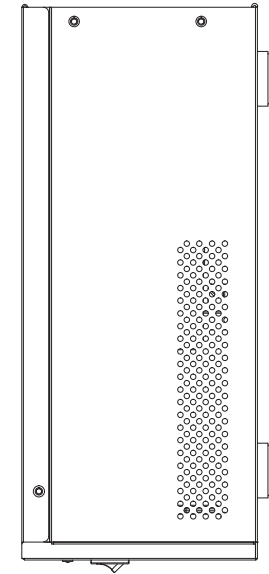
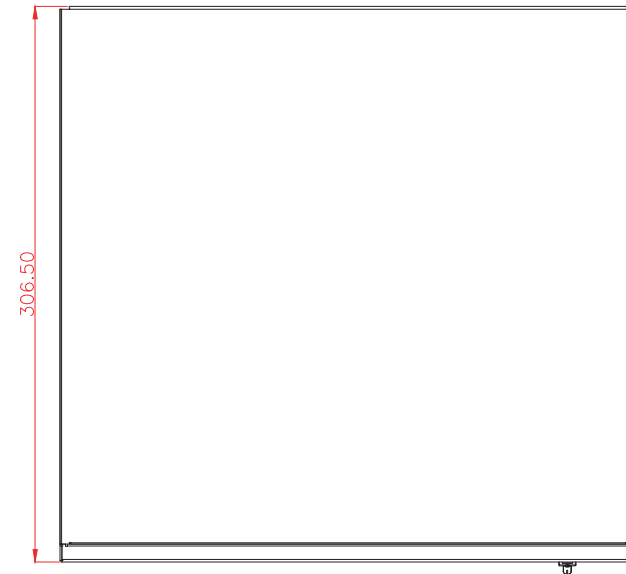
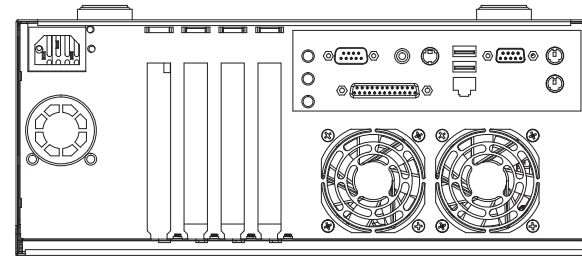
Low Operation temperature

## Certifications:

CE approval

FCC approval

## RoHS Compliant



UNIT : mm  
Rev : A  
Date : 2014.03.21  
PAGE : 1 / 1