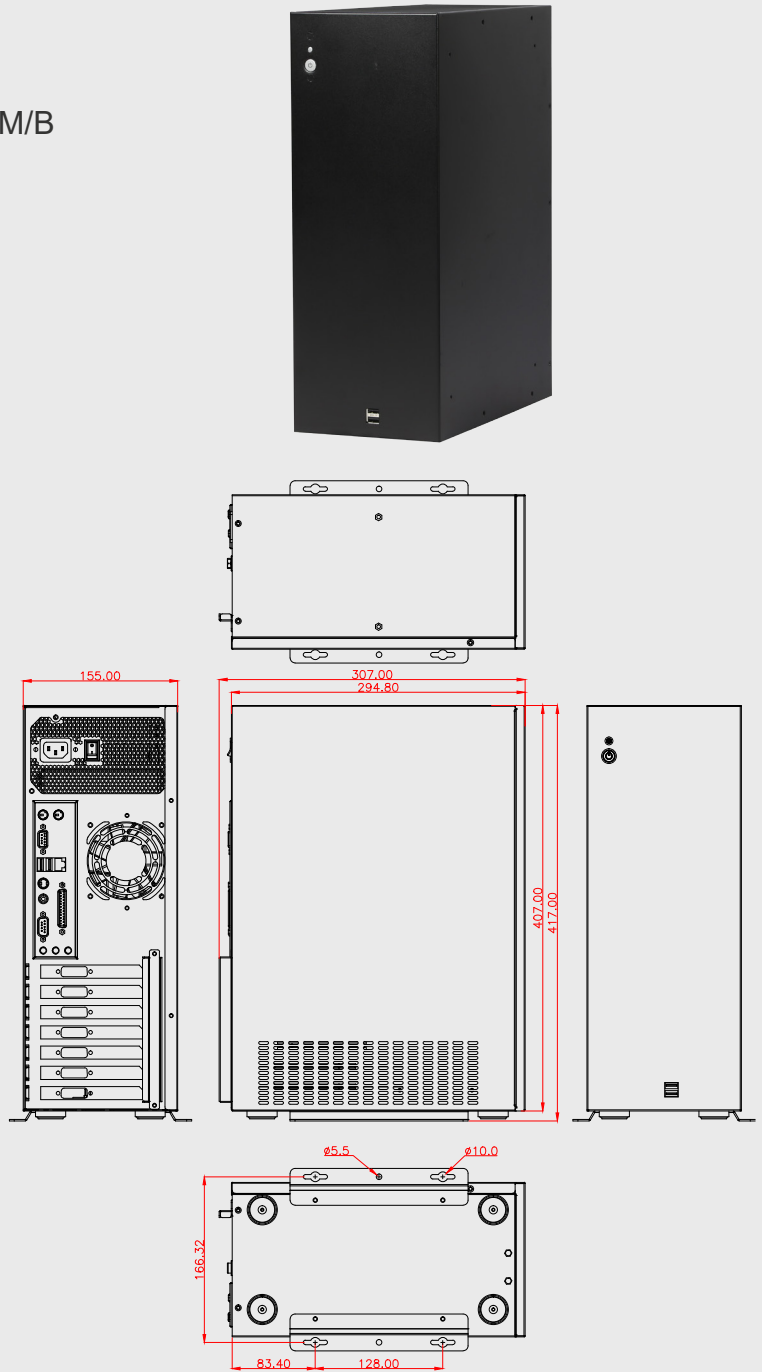


Feature :

1. Support ATX/Micro-ATX/Mini-ITX Form Factor M/B
2. 8 cm Fan (2 Ball Bearing) x 1.
3. Support Expansion Slots x 7.
4. Support Internal 3.5" Serial ATA Tray x 2.

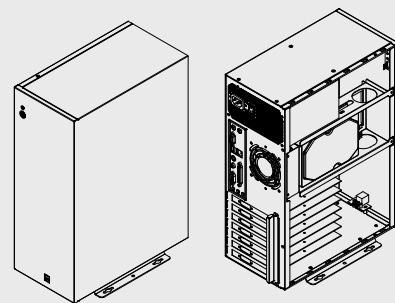
Specifications :

Front Panel	<ul style="list-style-type: none"> ● Power Switch x 1. ● Power LED x 1. ● HDD LED x 1. ● USB Port x 2 .
Back Panel	<ul style="list-style-type: none"> ● Standard I/O Shield (Not Included). ● Expansion Slots x 7.
Internal Structure	<ul style="list-style-type: none"> ● 8 cm Fan (2 Ball Bearing) x 1 ● 3.5" HDD x 2.
Dimension (WxDxH)	6.10 x 12.08 x 16.02 inch (155 x 307 x 407 mm)
Material	SGCC chassis
Surface	Wet Paint With Texture Coat. Black Color .



Power Solutions :

Internal Power Supply
PSII ATX 400W/500W/800W/1200W Power Supply



UNIT:mm