

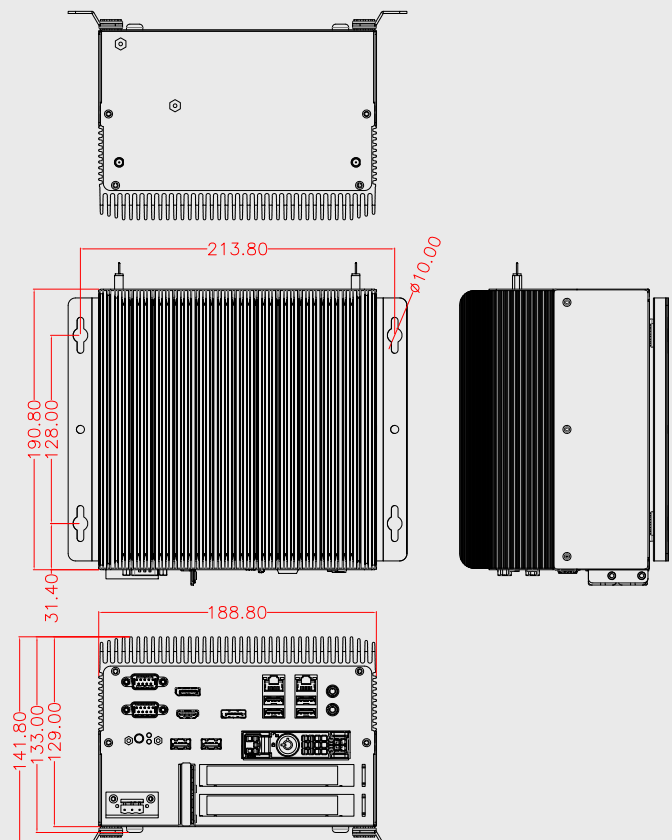
Feature :

1. For Mini-ITX ASROCK IMB-194-D M/B
With CPU TDP 35W Max.
2. Simple Assembling and Easy System Integration.
3. Support Wall/ Vesa Mount Bracket. (Optional)
4. Silent, Dust-free.



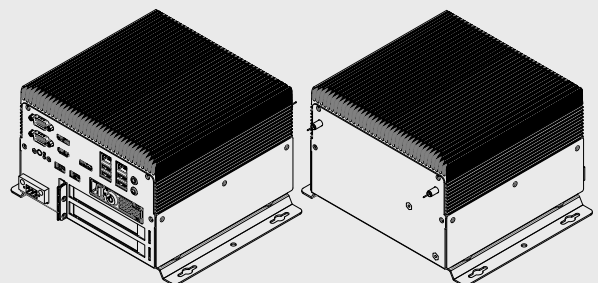
Specifications:

Front Panel	<ul style="list-style-type: none"> ● Power Switch x 1. ● Power LED x 1. ● HDD LED x 1. ● USB Port x 2. ● 2.5" HDD x 1. (Full Height) ● Standard I/O Shield. ● Expansion Slot x 2. ● Terminal Block x 1.
Back Panel	<ul style="list-style-type: none"> ● ANT Hole x 2 .
Internal Structure	<ul style="list-style-type: none"> ● 2.5" HDD x 1.
Accessories	<ul style="list-style-type: none"> ● Vesa-mounting Bracket x 1. (Optional) ● Wall-mounting Bracket x 1. (Optional)
Dimension (WxDxH)	7.43 x 7.51 x 5.24 inch (188.8 x 190.8 x 133 mm)
Material	SGCC
Surface	Black Wet Paint With Texture Coat.



Power Solutions :

Internal Power Supply	External AC Adapter
C7 80W DC Power Board	C7(60W): Input (AC 100~240V) Output (DC 12V@ 5A)
C7 80W DC Power Board	C7(80W): Input (AC 100~240V) Output (DC 12V@ 6.67A)



UNIT:mm