

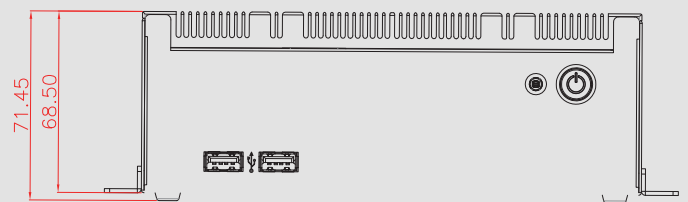
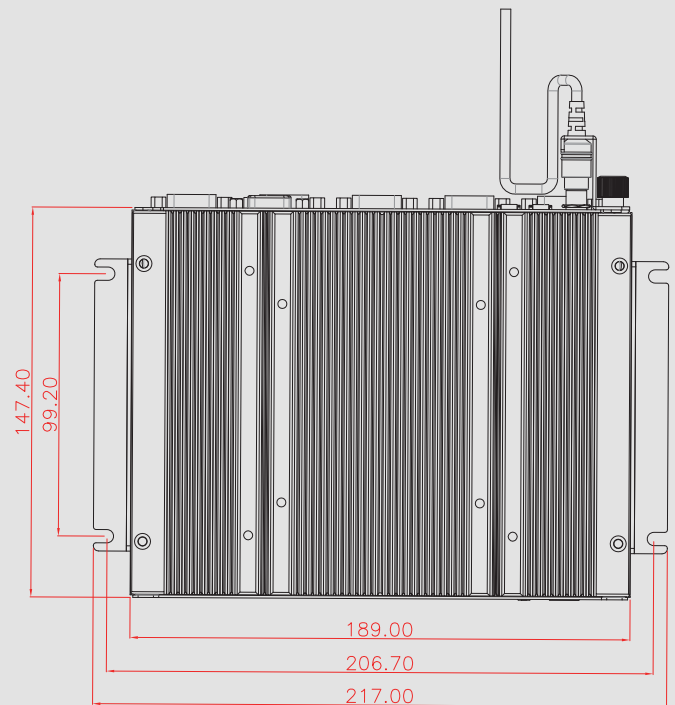
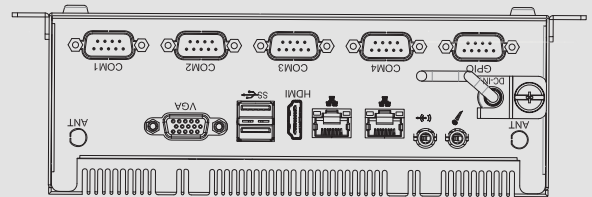
Feature :

1. For 3.5 inch Embedded Board Form factor
ASROCK SBC-230 Motherboard with CPU TDP 15W
2. Simple assembling and Easy system integration.
3. Silent, dust-free & energy-efficient operation.



Specifications:

Front Panel	<ul style="list-style-type: none"> ● Power switch x 1. ● Power LED x 1. ● HDD LED x 1. ● USB 2.0 Port x 2.
Back Panel	<ul style="list-style-type: none"> ● COM Ports x 4 . ● HDMI x 1. ANT x 2. ● Gigabit LAN x 2. ● VGA x1. ● USB 3.0 Port x 2. ● Audio IN / OUT. ● GPIO x 1 .
Internal Structure	<ul style="list-style-type: none"> ● 2.5" HDD x 1.
Dimension (WxDxH)	7.4 x 5.8 x 2.7 inch (189.0 x 147.4 x 68.5 mm)
Material	SGCC Anodized aluminum heatsink
Surface	Black wet paint with texture coat.



UNIT:mm

Power Solutions :

9-36V DC In