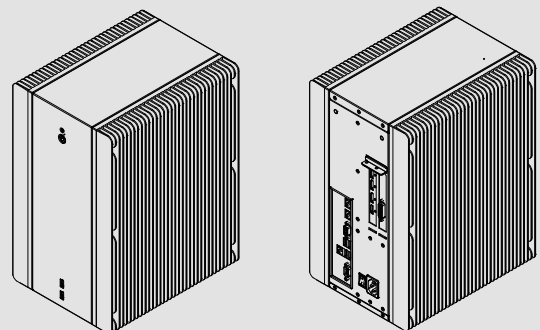
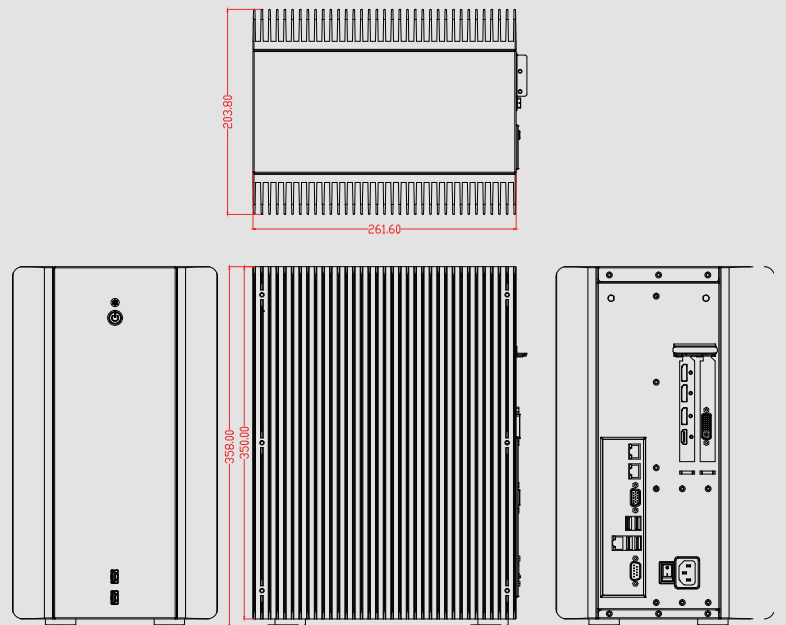


Feature :

1. For ATX (12" x 9.6") Form Factor Motherboard With CPU TDP 150W Max.
2. Dual Aluminum Heatsinks for CPU & Expansion Card
3. Support 2 x Expansion Slots
4. Silent , Dust-free & Energy - efficient Operation

Specifications :

Front Panel	<ul style="list-style-type: none"> ● Power Switch x 1. ● Power LED x 1. ● HDD LED x 1. ● USB 2.0 Port x 2.
Back Panel	<ul style="list-style-type: none"> ● Standard I/O Shield. ● Expansion Slots x 2. ● AC Socket x 1 .
Internal Structure	<ul style="list-style-type: none"> ● 2.5" HDD x 2.
Dimension (WxDxH)	8.02 x 10.30 x 14.09 inch (203.8 x 261.6 x 358 mm)
Material	Chassis :AL 5052 1.2T Heatsinks:AL 6063
Surface	Black Wet Paint With Texture Coat.



UNIT:mm

Power Solutions :

Internal Power Supply
450 Watts Fanless Power Supply