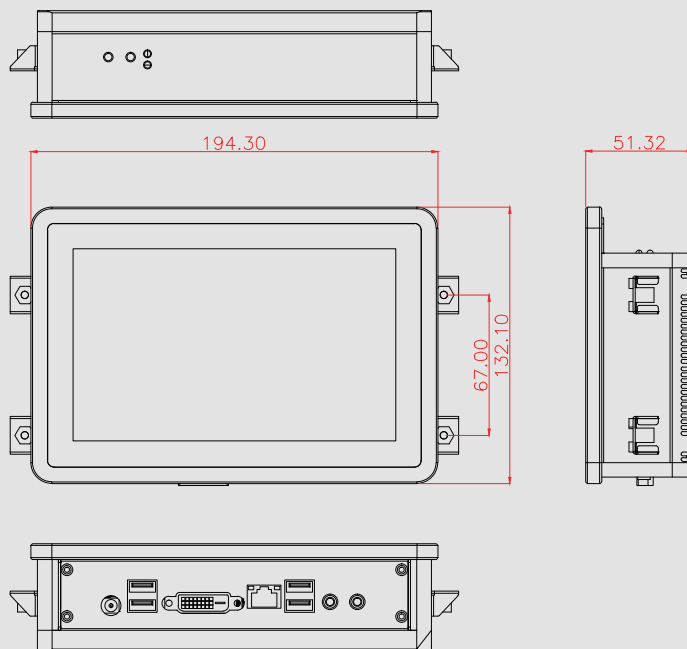


### Feature :

1. For 3.5" SBC with CPU TDP 10W max.
2. IP65 front bezel
3. 7.1" panel with touch
4. Silent, and dust-free

### Specifications:

LCD	Resolution: 1024 RGB (H)×600(V) Brightness: 320cd/m2 (typ.) Color Support: 16.7M Contrast Ratio: 500:1 (typ.) Response Time: 20ms (typ.)
Touch	Touchscreen Type: Projected Capacitive Surface Hardness: ≥6H Durability: 100,000,000 times Transparency: ≥90%
TDP	Max. 10W.
Form factor	3.5" SBC.
Dimension ( WxDxH )	( 194.3 x 132.1 x 51.32 mm )
Material	SGCC Anodized aluminum heatsink
Surface	Black wet paint with texture coat.



### Power Solutions :

Internal Power Supply	External AC adapter
C7	60 or 80 Watts

UNIT:mm