

KIWATEK

OSUP0701 7.1" PANEL

Dimensions:

194.3 mm(W) x 132.1 mm (D) x 51.32 mm (H)

Motherboard Spec.

For NF33-270-LF Motherboard.

Front Panel:

Power SW. Power LED. HDD LED.

Back Panel:

Audio IN/OUT x 1
USB 2.0 Port x 4
Gigabit LAN x 1
DVI Port x 1
12V DC in

Drive bays:

2.5" HDD x 1

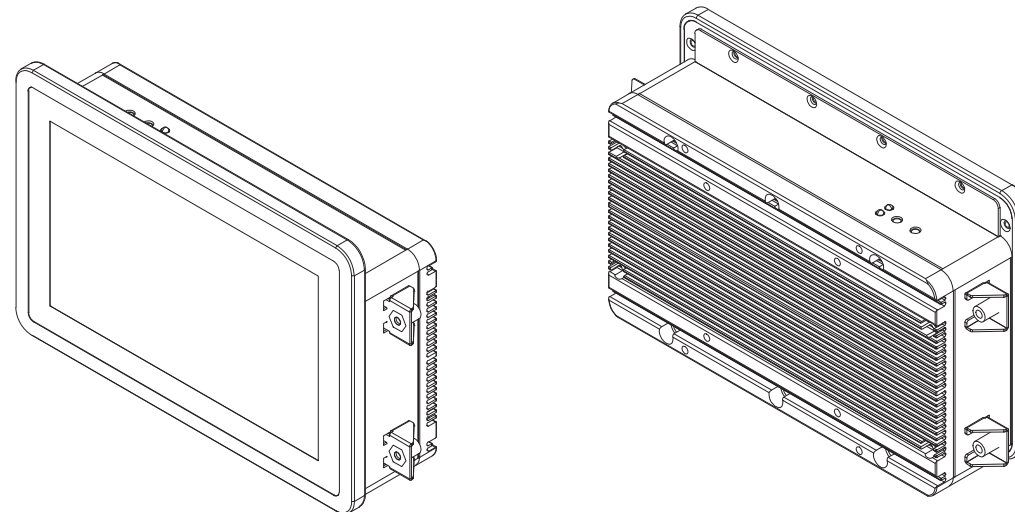
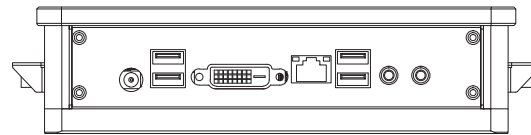
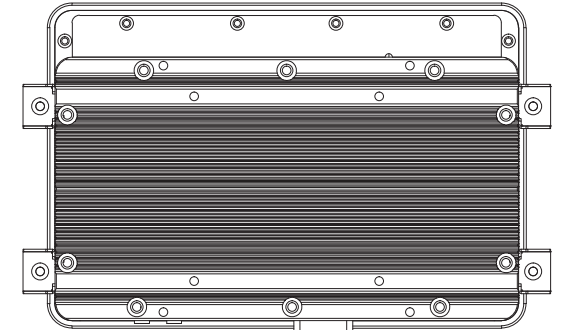
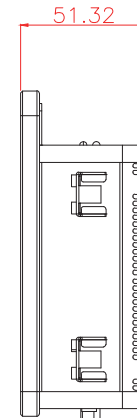
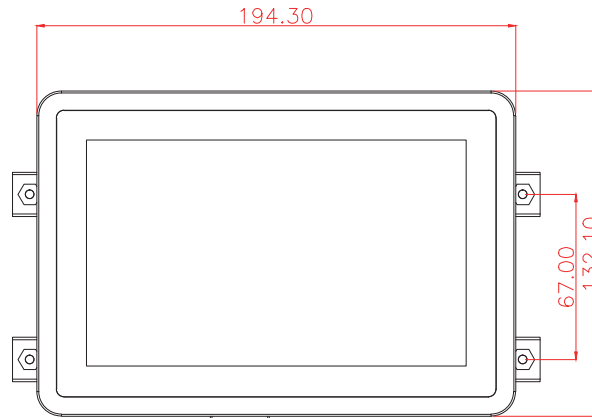
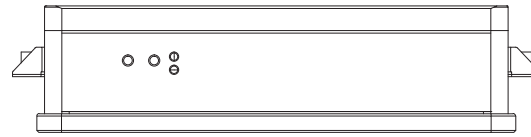
Power Input:

C7(80W) Converter

Construction:

Metal chassis
Aluminum chassis
Low Operation temperature

RoHS Compliant



UNIT : mm
Rev : A
Date : 2016.05.17
PAGE : 1 / 1