

KIWATEK OSU-P1201 12.1" PANEL

Dimensions:

332.5 mm(W) x 270.5 mm (D) x 52.85 mm (H)(13.0"x10.6"x2.1")

Motherboard Spec.

For NF33-270-LF Motherboard.

Back Panel:

Power SW . Power LED . HDD LED .
Audio IN/OUT x 1
USB 2.0 Port x 6
Gigabit LAN x 1
DVI Port x 1
12V DC in

Drive bays:

2.5" HDD x 1 .

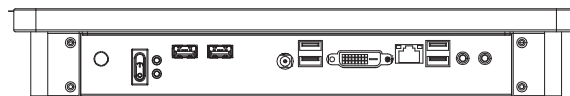
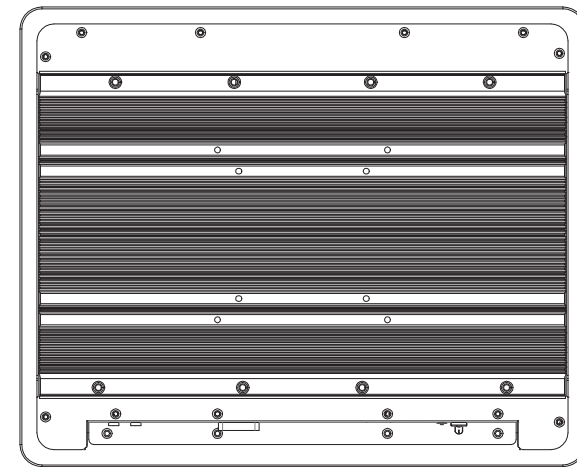
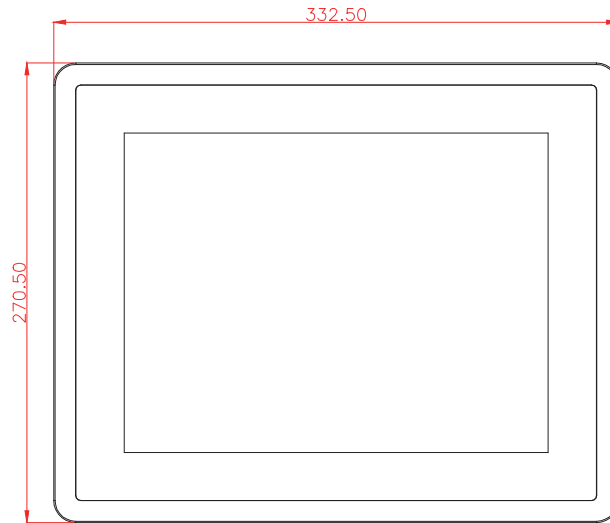
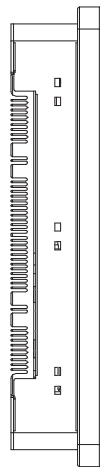
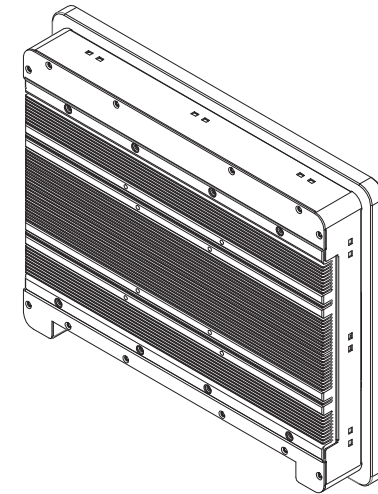
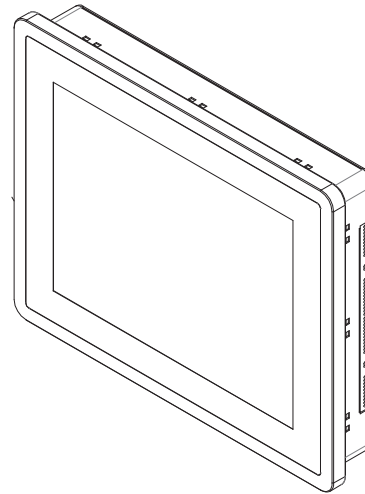
Power Input:

C7(80W)

Construction:

Metal chassis
Aluminum chassis
Low Operation temperature

RoHS Compliant



UNIT : mm

Rev : A

Date : 2016.05.17

PAGE : 1 / 1