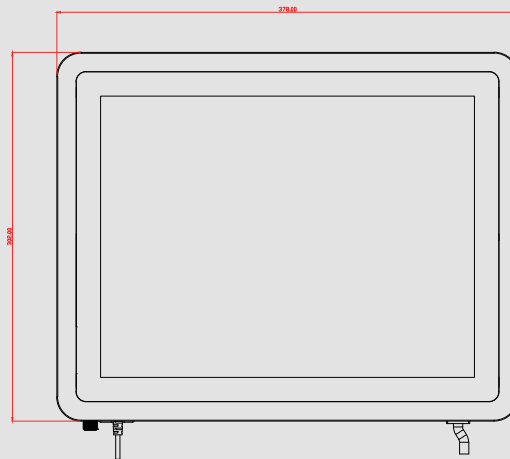
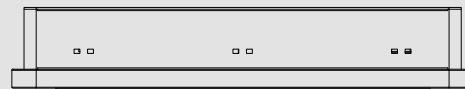


Feature :

1. For MINI-ITX with CPU TDP 35W max.
2. IP65 front bezel
3. 15" panel with touch
4. Silent, and dust-free

Specifications:

LCD	Resolution: 1024xRGBx768 Brightness: 300cd/m2 (typ.) Color Support: 16.2M/262k Contrast Ratio: 800:1 (typ.) Response Time: 8ms (typ.)
Touch	Touchscreen Type: Projected Capacitive Surface Hardness: ≥7H Durability: 100,000,000 times Transparency: ≥90%
TDP	Max. 35W.
Storage	2.5" HDD x 1.
Form factor	MINI-ITX.
Dimension (WxDxH)	(332.5 x 270.5 x 52.85 mm)
Material	SGCC Anodized aluminum heatsink
Surface	Black wet paint with texture coat.



Power Solutions :

Internal Power Supply	External AC adapter
C7	60 or 80 Watts



UNIT:mm