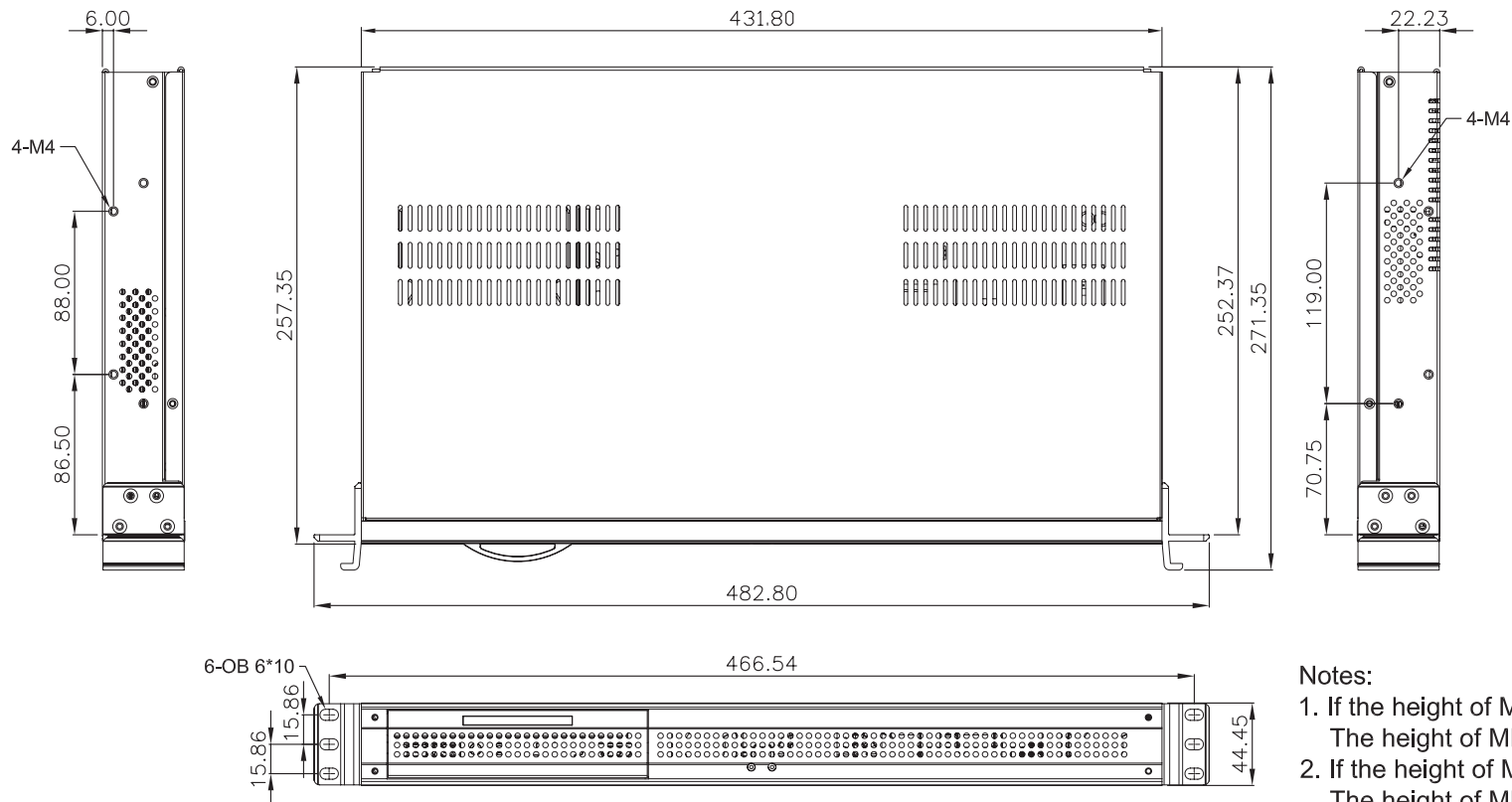
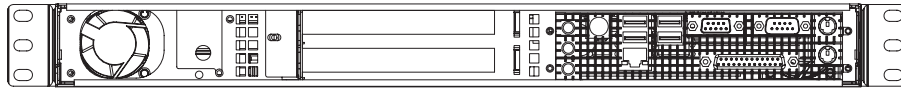
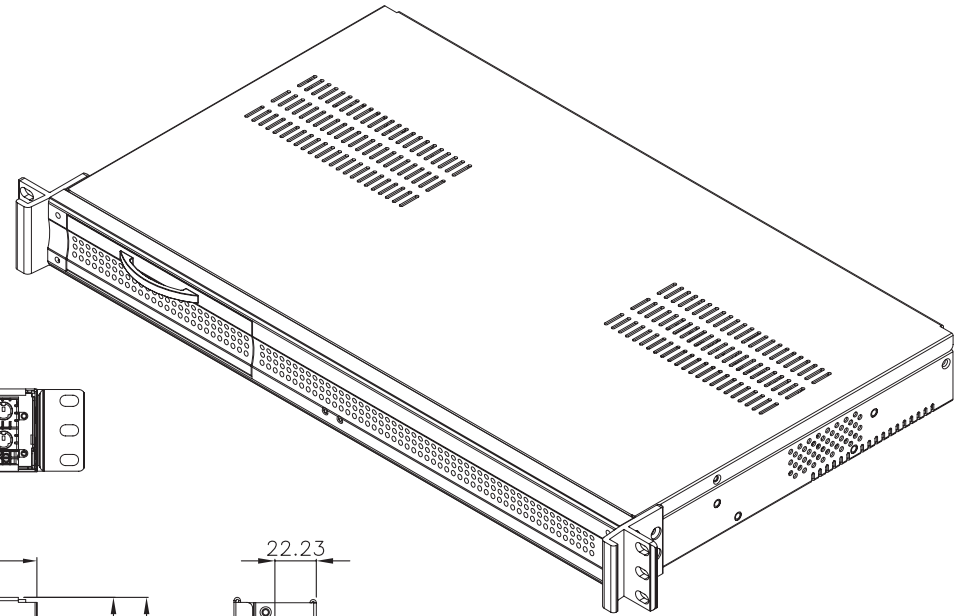


KIWATEK

TAWA-C159 1U dual PCI slots with mini-ITX rackmount



Notes:

1. If the height of MB bottom components is below 3mm.
The height of MB top components cannot exceed more than 37mm.
2. If the height of MB bottom components is between 3-6mm.
The height of MB top components cannot exceed more than 34mm.
3. Units : mm