

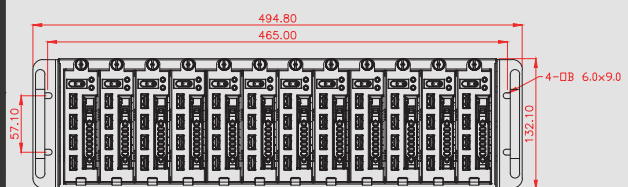
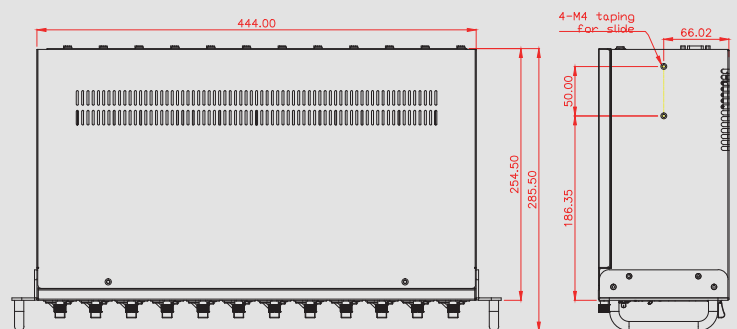
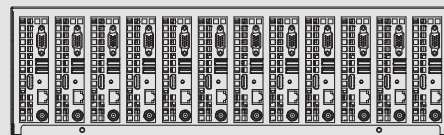
Feature :

1. 3U rackmount server chassis with 12 Pico-ITX systems.
2. Easy system integration.
3. Both internal and external storage capacities.
4. Support up to 12 x 2.5" Serial ATA trays.



Specifications :

Front Panel	<ul style="list-style-type: none"> ● Power switch x 12 sets. ● Power LED x 12 sets. ● HDD LED x 12 sets. ● (USB Port x 4) x 12 sets. ● 2.5" Serial ATA trays x 12.
Back Panel	<ul style="list-style-type: none"> ● Special-purpose back panel x 12 sets.
Internal Structure	<ul style="list-style-type: none"> ● 4cm system cooling x 12.
Dimension (WxDxH)	19 x 10.5 x 5.19 inch (482.6 x 266.8x 132 mm)
Material	Heavy dust cold-rolled steel.
Surface	Black wet paint with texture coat.
Colour	Black. Customizable colour.



Power Solutions :

External AC adapter

60W(12V) Adapter x 12