

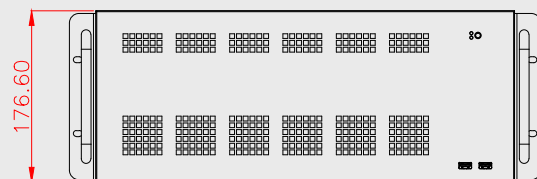
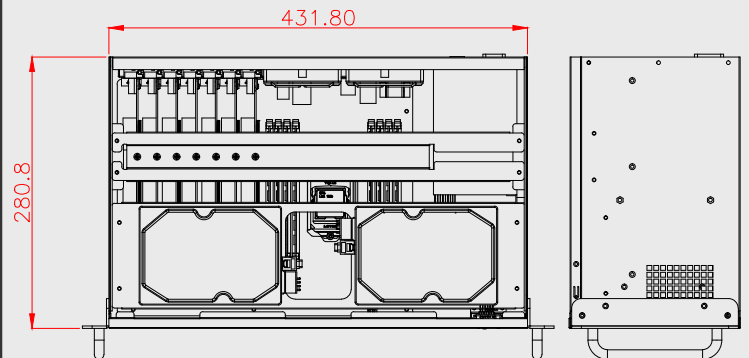
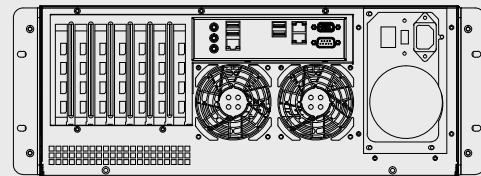
## Feature :

1. 4U Rackmount Platform For ATX motherboard.
2. Support 7 Full Size Expansion Slots
3. With Small Dimension (280.8mm(D))
4. Compatible with PSII Power Supply
5. With Shock-resistant Cushion Bracket For Expansion Cards
6. Excellent Cooling with 2 x 8cm Fans (2 Ball Bearing)



## Specifications :

Front Panel	<ul style="list-style-type: none"> <li>● Power switch x 1.</li> <li>● Power LED x 1.</li> <li>● HDD LED x 1.</li> <li>● USB Port x 2.</li> </ul>
Back Panel	<ul style="list-style-type: none"> <li>● Expansion Slots x 7</li> <li>● Standard I/O Shield x 1</li> <li>● PSII Power Socket x 1</li> </ul>
Internal Structure	<ul style="list-style-type: none"> <li>● 8cm Fan x 2.</li> <li>● Standard memory height.</li> <li>● 3.5" HDD x 2.</li> </ul>
Dimension (WxDxH)	19.00 x 11.05 x 6.92 inch ( 431.8 x 280.8 x 176.0mm )
Material	SGCC.
Surface	Black wet paint with texture coat.
Colour	Black. Customizable colour.



## Power Solutions :

Internal Power Supply
PSII 300W/400W/500W Power Supply

UNIT:mm